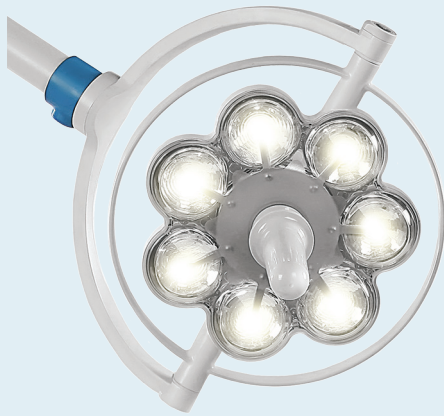




EXAMINATION LIGHT EMALED® 200 M

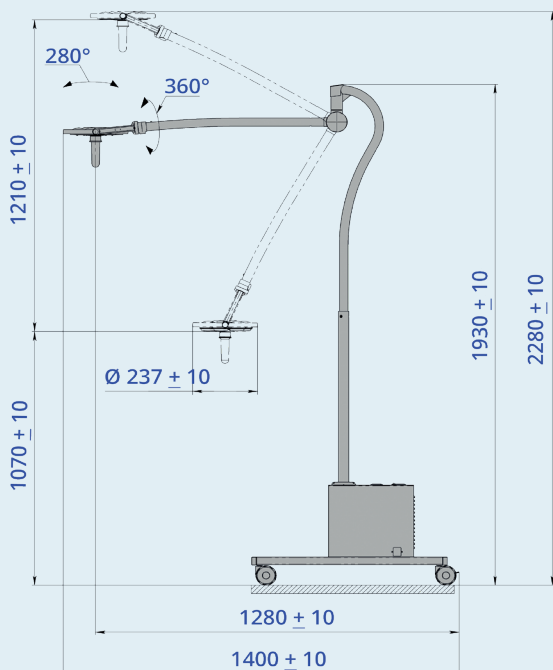


The mobile examination light EMALED 200 M with a battery back-up can be used without power connection up to 24 hours. The high illumination and excellent lightning quality makes this mobile surgical light a good allrounder in multiple fields.



TECHNICAL DETAILS

Illumination (at 1 m)	50.000 lx
Lighting intensity	30 - 100 %
Diameter of lightning field D10	140 mm
Operating distance	70 - 140 cm
Colour temperature	4.500 K
Colour rendering index	95 Ra
Life expectancy of LEDs	50.000 hrs
Diameter of light head	240 mm
Number of LEDs	7
Main voltage	230 V
Frequency	50 - 60 Hz
Power consumption	10 VA
Weight of lighting element	1,0 kg
Weight of complete system	37 kg



- Natural colour rendering
- Barely noticeable heating of the light head
- No moveable parts in the light head
- Low maintenance requirements
- Adjustable illumination in three steps
- Powder coated aluminum case
- Two autoclavable handles are included (additional handles can be ordered any time)

