



Premium Hospital Beds

ZERO G



## FLUIDITY BETWEEN UNITS

Multifunctional Patient Chair



## Transport

The high functionality and manoeuvrability of this system make Zero G a high-performance patient chair for transport and relaxation, ideal for various healthcare services, from small dialysis centres to large hospital units

## Therapy

Conceived as a product to help in hospital management, specifically in the connection between health units, this is a chair distinguished by its high mobility in any situation without neglecting the patient's comfort from the wards to treatment areas such as dialysis or surgery units.

**3 STEPS OF  
EARLY MOBILITY**

**1 Stabilization**

Zero Gap  
Safe Transfers



Adjustable Head Pillow  
High Backrest

**2 Verticalization**

Full Control  
Anthropometric Proportions



Zero Gravity Position  
Therapeutic Functions

**3 Mobilisation**

Folding Armrest  
Easy Exit/Entry



Board and Pad Fitting  
Achieving Autonomy

## Zero Gravity

Adjustable reclining of the back, seat and leg sections, in a proportion favourable to body relaxation. Ensures body relaxation for patients recovering after surgery.



## Legrest

Independent and adjustable reclining leg section. Ensures comfort for patients with loss of mobility in the lower limbs.



## Transport

Lifting of armrests and sliding of the telescopic footrest with anti-slip texture. Ensures comfortable and undisturbed movement of patients.



## Transfer

Adjustable reclining sections and independent folding of armrests. Ensures the smooth transfer of patients to and from the seat.



## THERAPEUTIC PROPERTIES

Lasting Comfort



### Zero Gravity Position

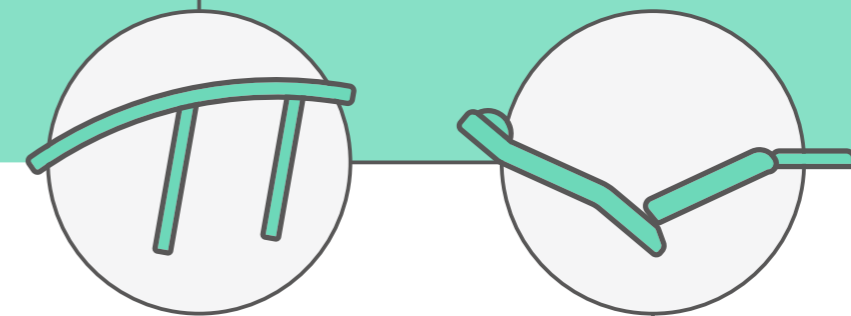
Zero G is based on the concept of neutral body posture, achieving the most ergonomic and relaxing posture for the human body.

A synchronous articulation of back and seat in a determined proportion and inclination, simulates the conditions of microgravity and the respective absence of atmospheric pressure, maximising musculoskeletal relief.

This positioning technique applied to patients in hospital treatment provides an extraordinary rehabilitation and rest therapy.

### Fall Prevention

The Zero G's armrests, besides their function of resting the patient itself, also prevent and avoid the risk of injuries caused by accidental falls, through a high lateral coverage and a profile that accompanies the reclining of the seat and backrest.



### Versatile Ergonomics

Between Zero G Uno and Duo versions, it is possible to choose synchronised or independent back and leg movements, opening up a range of applications depending on the hospital environment where it is inserted



### Dialysis Centres

The management of haemodialysis and oncology treatment wards is facilitated by the application of practical and removable accessories, and alternative connections between other units are made possible.



### Outpatient Surgery

Therapeutic support is ensured during travel by bilateral medical device suspension hooks. Other accessories can be inserted to support serum bags or oxygen bottles.



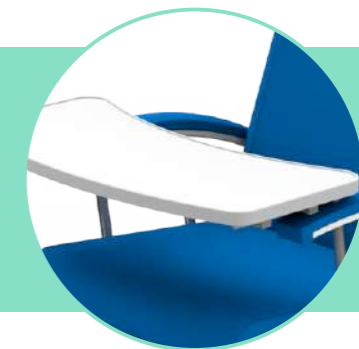
Haemodialysis



IV Therapy



Oxygen Therapy



Oncology

**SAFE TRANSPORT**  
Better Outcomes

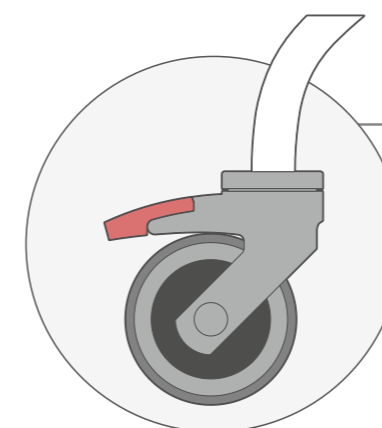


## Transfer

When folded down, the armrests hide under the seat of the armchair. This allows the chair to rest against a bed or other medical device with very little space - Zero Gap - providing a quick and safe transfer of the patient.

## Mobility

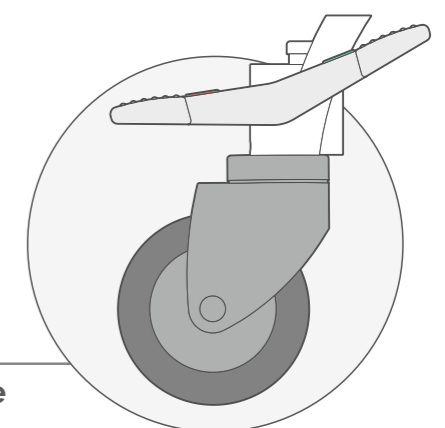
Whoever drives Zero G is positively surprised with the high manoeuvrability provided by the comfortable and adjustable carrying handle combined with the illusory lightness and perfect balance of the whole product.



Ø100 mm  
Local Brake

## Casters

Ø125 mm  
Central Brake



**LONG-LASTING  
QUALITY**



## Total Disinfection

The simple construction and high-quality materials and finishes of Zero G allow for proper cleaning and disinfection. To help this practice, it includes features such as the easily removable seat or the washable materials. All metal components are epoxy or stainless steel painted, avoiding corrosion and improving sanitation.

STANDARD



Grey



Lead



Cyan



Atoll



Eucalyptus



Natural



Yellow



Citrus



Incarnadine

## Finishes

## Synthetic Leather

The upholstery is covered with high quality synthetic leather with a natural leather look.

It is antibacterial, antifungal and impermeable to water, allowing for constant cleaning without impairing long-term resistance. For safety reasons, it has a fire-retardant, fireproof treatment.

# TECHNICAL FEATURES

Models 590.1 / 590.4


**Standard** - feature included as standard.  
**Optional** - choose from various options.  
**Extra** - feature not included as standard.

**Standard**  
**Optional**  
**Extra**


# ACCESSORIES

Structure		Standard	Optional	Extra		IV Pole
Robust metal frame epoxy coated		●			 <p>Serum support                      Epoxy painted column                      Adjustable rod with 2 hooks                      Fitting to the frame</p>	590.001
Mobile components zinc plated or/and stainless steel		●				
Bilateral foley bag hooks		●				
Bilateral accessory fittings		●				

## O2 Tank Holder

Patient Support		Standard	Optional	Extra		
Zero G position - 2 articulated sections		●			 <p>Support for oxygen tank                      In stainless steel                      Fitting to the frame</p>	590.530
High backrest with adjustable head pillow			●			
Synchron seat removable for cleaning		●				
Telescopic footrest			●			

## Blood Collection Pad

Transport		Standard	Optional	Extra		
Ø100mm ABS casters, 2 with local brake			●		 <p>Haemodialysis rotating armrest                      In polyurethane                      Fitting to the arm of the chair</p>	AB590.100
Ø125mm ABS casters, 2 with central brake			●			
Ergonomic transport handle		●				
Files holder				●		

## Meal Tray

Control		Standard	Optional	Extra		
Zero G Uno - Independent articulations			●		 <p>Tray for daily activities                      ABS board                      Fitting to the arm of the chair                      Can be stowed in the backrest</p>	AT590.100
Zero G Duo - Synchronized articulations			●			
Independent folding armrests		●				
Decompression lever at the back				●		
Footrest lever				●		



## ZERO G

\* Ø100mm casters \*\* Zero G Duo

### Dimensions +/- 5%

External dimensions	1190 x 680 x 770 mm
Back Height	730 mm
Seat Height	490* mm
Seat Width	515 mm

### Joints +/- 5%

Maximum back angle	130°
Maximum leg angle	165°
Synchron relation	2/5 (seat/back)

### Capacities +/- 5%

Maximum patient weight	140 Kg
Armchair weight	32* Kg
Back gas pump	800 N
Leg gas pump	200** N

## Registry and Conformity

- CE Mark
- Officially registered as Medical Device Class I, n° 125/DM/2017/01/217 - Infarmed
- Over the scope of Regulation (EU) 2017/745/EU and Decree-Law 145/2009
- Certified according to the standard EN ISO 9001 - Quality Management System
- Certified according to the standard EN ISO 13485 - Medical Devices Conception and Manufacturing

# medi<sup>+</sup> HEALTH

Medihealth Oy, Haarasuonkuja 5 90240 Oulu, y-tunnus 3131118-6, [www.medihealth.fi](http://www.medihealth.fi)

Tilaukset: [tilaukset@medihealth.fi](mailto:tilaukset@medihealth.fi) Tiedustelut: [info@medihealth.fi](mailto:info@medihealth.fi)