



Lifeline®

Lifeline. Save lives together!



Metro incorporates several elements in its product design to support a facility's infection control processes:

- Microban® antimicrobial protection helps keep products "cleaner between cleanings"
- Advanced polymer and other proprietary finishes provide corrosion resistance
- Smooth rounded corners to allow for easier cleaning

Look for the "red check" symbol for this added protection.

FIND IT FAST.

Get organized with Lifeline. Drawer dividers and trays make finding critical medications and supplies easy.



BE EFFICIENT.

Have simultaneous access to medications and supplies by multiple code team members.

TAKE CONTROL.

5th wheel steering assist assures maximum control in transit and maneuverability during a code.

Lifeline®

Designed for a code. Not adapted for one.

AVAILABLE BODY COLORS*

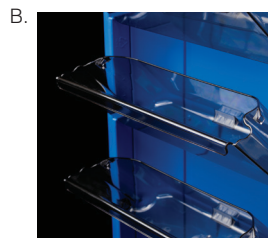


*Drawer pull color will match body color by default.

PEDIATRIC COLOR KIT



LEARN MORE



- A. Lightweight polymer construction, ergonomic handle and proprietary 5th-wheel steering system assures maximum control in transit and maneuverability during a code.
- B. Tilt out side bins, top storage compartment and drawers provide simultaneous access to multiple stored products.
- C. Cord management and restraint system keeps cords neatly organized and protects equipment from accidental damage.
- D. Strapless defibrillator platform adjusts to accommodate various defibrillators.
- E. Swingarm positions defibrillator closer to the patient; clears top work area.
- F. Recessed top storage with a clear removable cover provides instant access to first line meds or airway equipment without impeding access to drawers.
- G. Convenience features include an extendable I.V. Pole, O₂ Tank Storage, Suction Pump Shelf, Glove Box Holder, Lockable Sharps Container, Hospital Grade Outlet Strip, Cord Management, Trays & Dividers.
- H. Full extension drawers have self-closing ball bearing slides to provide easy access to medications and supplies.
(Drawer depths: 3", 6", 9", 12")
- I. Lock mechanism secures top compartment, drawers and side bins and can be sealed in segments or one seal secures all.
- J. Backboard can be mounted to the front or back of the cart.
- K. Two brake casters positioned in the front of the cart to provide stability.

LIFELINE® EMERGENCY CARTS



Packages include cart and accessories.



Blue: Cat. No. **LECCRP2**
Red: Cat. No. **LECCRP2-RD**



Blue: Cat. No. **LECCRP3**
Red: Cat. No. **LECCRP3-RD**



Blue: Cat. No. **LECCRP4**
Red: Cat. No. **LECCRP4-RD**



Blue: Cat. No. **LECCRP5**
Red: Cat. No. **LECCRP5-RD**



Blue: Cat. No. **LECCRP7**
Red: Cat. No. **LECCRP7-RD**



Blue: Cat. No. **LECPEDS2**
Red: Cat. No. **LECPEDS2-RD**

Upgradeability.



Basic Cart with side bins and tank holder



Time.
Budget.
Needs.



Upgrade with defibrillator arm, storage bin and suction shelf



Time.
Budget.
Needs.



Upgrade again with drawers, trays & dividers

One of the best features about Lifeline is its upgradeability. Start with a basic model based on budget or current requirements and buy the confidence that it can change as your needs change.

Note: Model Numbers shown for carts with open storage below drawers do not include security mechanism for open space. Contact your Metro Representative for a quotation with secure storage space.

To configure a Lifeline cart to your exact specifications, please visit www.metroconfigurator.com

Code Response Preconfigured Carts

Carts shown on the previous pages are configured with the components and accessories listed here.

Cat. No.	Description	LECCRP2	LECCRP2-RD	LECCRP3	LECCRP3-RD	LECCRP4	LECCRP4-RD	LECCRP5	LECCRP5-RD	LECCRP6	LECCRP6-RD	LECCRP7	LECCRP7-RD	LECCRP8	LECCRP8-RD	LECPEDS1	LECPEDS2
FL120	Solid Bottom Shelf													x	x		
LEC143	Top Cavity Tray			1	1			1	1	1	1			1	1		
FL151	3" (76mm) Drawer Divider Tray with Dividers							1	1	2	2						7
FL159	6" (152mm) Drawer Divider Tray with Dividers							1	1	1	1						1
FL190	Label Holder Set of 10											x	x				
FL211	Side Bin (1) — Locking			3	3	3	3	3	3			4	4	3	3	2	4
FL221	Waste Basket 28 Quart & Holder	x	x							x	x					x	
LEC236	Glove Box Holder — Single (Mounts to Handle Side)							x	x							x	
LEC251	Lockable Sharps Container (Mounts to Handle Side)	x	x							x	x						x
FL302	Cord Manager							x	x			x	x				x
LEC304	Adjustable Defibrillator Tray	x	x	x	x	x	x	x	x	x	x	x	x	x	x	x	x
FL305-4US	Medical Grade 4-Outlet Strip and Holder (120V)											x	x				x
LEC306	Suction Pump Shelf			x	x			x	x			x	x	x	x		x
LEC308	Backboard with FRONT Assembly Kit - Blue			x		x		x		x				x		x	
LEC308RD	Backboard with FRONT Assembly Kit - Red				x		x		x		x				x		
LEC309	Backboard with BACK Assembly Kit - Blue	x										x					x
LEC309RD	Backboard with BACK Assembly Kit - Red		x										x				
Included	Oxygen Tank Holder	x	x	x	x	x	x	x	x	x	x	x	x	x	x	x	x
FL315	I.V. Pole with Cart Mount	x	x	x	x	x	x	x	x	x	x	x	x	x	x	x	x
LEC319	Storage/Gel Bin			x	x							x	x	x	x		
LEC320	Plastic Security Seals 100 Pack	x	x	x	x	x	x	x	x	x	x	x	x	x	x	x	x
FL403	Individual Drawer Seal Lock Bar																x
LEC-PED8	Pediatric Code Response Drawer Kit															x	x
Carts																	
LEC24P	39" (991mm) Cart - Blue	x		x										x			
LEC24PRD	39" (991 mm) Cart - Red		x		x										x		
LEC27P	42" (1067mm) Cart - Blue					x		x									
LEC27PRD	42" (1067mm) Cart - Red						x		x								
LEC30P	45" (1143mm) Cart - Blue									x		x				x	
LEC30PRD	45" (1143mm) Cart - Red										x		x				x
Drawers, with Cobalt® Drawer Pull																	
LEC103	3" (76mm) Drawer	1		2		2		3		4		2		2		7	7
FL103	3" FL Drawer - No Drawer Pull		1		2		2		3		4		2		2		
LEC106	6" (152mm) Drawer	3		1		1		1		1		2		1		1	1
FL106	6" FL Drawer - No Drawer Pull		3		1		1		1		1		2		1		
LEC109	9" (229mm) Drawer			1				1		1		1					
FL109	9" FL Drawer - No Drawer Pull				1				1		1		1				
LEC112	12" (305mm) Drawer					1											
FL112	12" FL Drawer - No Drawer Pull						1										
FL-RD	1 Red Drawer Pull		4		4				5		6		5		3		



5th wheel maneuverability.

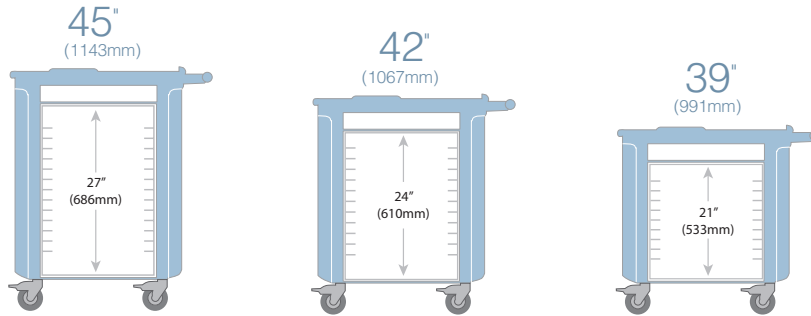
Lightweight polymer construction, ergonomic handle and proprietary 5th-wheel steering system assures maximum control in transit and maneuverability during a code.



LEARN MORE

Lifeline carts are built to exact customer specifications, therefore, they are non-cancellable, non-returnable.

Build-a-Cart



Cart Bodies

Width/Length/Height (in.) (mm)		Storage Space (in.) (mm)	Drawer Space (in.) (mm)	Steering Assist	Tank Holder	Blue Cat. No.	Red Cat. No.
22.63 x 38 x 38.75	575 x 965 x 984	24 610	21 533	X	X	LEC24P	LEC24PRD
22.63 x 38 x 42.13	575 x 965 x 1070	27 686	24 610	X	X	LEC27P	LEC27PRD
22.63 x 38 x 45.5	575 x 965 x 1156	30 762	27 686	X	X	LEC30P	LEC30PRD

Note: Width includes optional backboard holders.
Top cavity dimensions 16.38"D x 15.38"L x 3.25"H (416mm x 391mm x 83mm)



Standard Drawer Pull Color:
Cobalt



Pediatric Drawer and Color Kit
(Includes drawers, colored pulls and labels only)

Additional Security

Description	Cat. No.
Individual Drawer Seal Lock Bar for LEC24P	FL401 ^F
Individual Drawer Seal Lock Bar for LEC27P	FL402 ^F
Individual Drawer Seal Lock Bar for LEC30P	FL403 ^F

^FMust be factory installed prior to shipment.

Drawer and Shelf

Description	Cat. No.
3" (76mm) Pull Out Shelf	FL101
3" (76mm) Drawer with Cobalt Pull	LEC103
6" (152mm) Drawer with Cobalt Pull	LEC106
9" (229mm) Drawer with Cobalt Pull	LEC109
12" (305mm) Drawer with Cobalt Pull	LEC112
Solid Bottom Shelf	FL120
Drawer Kit, Pediatric (7-3" Drawers and 1-6" Drawer)†	LEC-PED8 ^{**}

† Inside Drawer Dimensions — 20.25" (514mm) wide x 17" (432mm) deep; Heights: 2.75" (70mm), 5.75" (146mm), 8.75" (222mm) 11.75" (298mm).
** Can only be ordered with a 45" cart.
Top cavity dimensions: 15.38" (391mm) x 16.38" (416mm) x 3.25" (83mm)



LEC251



LEC306

Right (Handle) Side Accessories

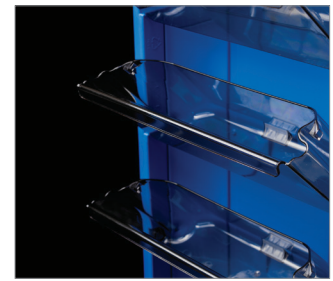
Description	Cat. No.
Glove Box Holder — Single 4" x 10.13" x 6.38" (101 x 258 x 162mm)	LEC236
Lockable Sharps Container with Removeable Glove Box Holder 4.75" x 13" x 19.88" (with glove box holder) or 11.38" (without glove box holder) (121 x 300 x 505 or 302mm)	LEC251
Replacement Containers for LEC251 — 20 5 Quart Containers	FL252
Suction Pump Shelf 12.5" x 15.25" x 4.25" (320 x 384 x 108mm)	LEC306
Oxygen Tank Holder*	—

*Included on all carts

To configure a Lifeline cart to your exact specifications, please visit www.metroconfigurator.com

Left Side Accessories

Description	Cat. No.
Side Bin (1) — Locking 4.5" x 16.75" x 8.5" (117 x 426 x 216mm)	FL211 ^F
Side Bin (1) — Non-Locking 4.5" x 16.75" x 8.5" (117 x 426 x 216mm)	FL212
Waste Basket 28 Quart & Holder 14.5" x 10.88" x 15.38" (370 x 275 x 390mm)	FL221
Waste Basket 28 Quart	FL222
Bracket for Large Sharps or FL222	FL223
Glove Box Holder — Single 4" x 10.13" x 6.38" (101 x 258 x 162mm)	FL236
Glove Box Holder — Triple 4" x 10.13" x 18.38" (101 x 258 x 466mm)	FL237
Sharps Container Bracket — Non-Locking 9.5" x 3.25" x 9.31" (241 x 83 x 237mm)	FL250
Lockable Sharps Container with Removeable Glove Box Holder 4.75" x 13" x 19.88" (with glove box holder) or 11.38" (without glove box holder) (121 x 300 x 505 or 302mm)	FL251
Replacement Containers for FL251 — (20) 5-Quart Containers	FL252


FL211

FL302

FL305

LEC304

LEC309

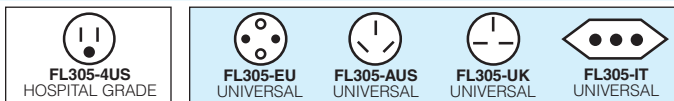
LEC320 (Designed to work with Metro's Passive Lock System)

Drawer Accessories

Description	Cat. No.
Divider Clip to Attach Loose Short Divider-end to Long Divider - 2 Pack	T-CLIP
3" (76mm) Drawer Divider Kit (3 Long, 5 Short, 6 T-Clips)	FL113
Short Divider for LEC103 or FL103 5-Pack 6.88" L (175mm)	FL114
Long Divider for LEC103 or FL103 2-Pack 17.25" L (437mm)	FL115
6" (152mm) Drawer Divider Kit (2 Long, 5 Short)	FL116
Short Divider for LEC106 or FL106 5-Pack 8" L (205mm)	FL117
Long Divider for LEC106 or FL106 2-Pack 17.25" L (437mm)	FL118
Ampule Insert & 12 Divider for Top Cavity or 3" (76mm) Drawer Tray 15.75" x 4.88" (400 x 124mm)	FL131
Divider for FL131, 12-Pack 5" L (125mm)	FL132
3" (76mm) Egg Crate-Style Drawer Divider Kit (Qty. 10 Short/Vertical, 5 Long/Horizontal)	FL141
6" (152mm) Egg Crate-Style Drawer Divider Kit (Qty. 10 Short/Vertical, 5 Long/Horizontal)	FL142
Short Divider for FL141 — Qty. 5 each 10" L (256mm)	FL143
Top Cavity Tray — 15" x 15" (381 x 381mm) with 8 Dividers, 6 Short, 2 Long, Sheet of Blank Labels, and 5 Security Bags	LEC143
Hard Lid for LEC143	LEC144
Long Divider for FL141 — Qty. 5 each 17.13" L (436mm)	FL144
Short Divider for FL142 — Qty. 5 each 10" L (256mm)	FL145
Long Divider for FL142 — Qty. 5 each 17.13" L (436mm)	FL146
3" (76mm) Drawer Tray Approx. 20" x 15" (508 x 381mm) with 6 Dividers, 4 Short, 2 Long, Sheet of Blank Labels, 5 Security Bags	FL151
Lid for 6" (152mm) Drawer Tray	FL158
6" (152mm) Drawer Tray Approx. 19"x15" (483x381mm) with 6 Dividers, 6 Short, 2 Long, 5 Security Bags	FL159
Long Divider Rails for LEC143 or FL151 2 Pack 15.5" L (394mm)	FL163
Short Divider for LEC143 or FL151 10 Pack 6.88" L (175mm)	FL164
Long Divider for FL159 (2 Pack) 14.75" L (375mm)	FL166
Short Divider for FL159 (3 Pack) 8" L (205mm)	FL167
Security Bags for 3" (76mm) & 6" (152mm) Trays	FL183
Security Bags for Top Cavity Tray	LEC185
Label Holder Set of 10 13.63" L (346mm)	FL190

Cart Accessories

Description	Cat. No.
Rear Accessory Mount Brackets for I.V. Pole or Defibrillator — 1 Pair	FL301*
Cord Manager .5" x 21.75" x 1.25" (13 x 554 x 31mm)	FL302
Adjustable Defibrillator Tray 8.13"-14.25" x 14.5" (206-362 x 368mm)	LEC304
Medical Grade 4-Outlet Strip, 10' Cord and Holder	FL305-4US
Universal 6 Outlet Power Strip, 250V 13A, CE, ROHS, 6' (183cm) Cord, Cord Wrap	See Below



Backboard with Front and Rear Assembly Kit	LEC307 ^F
Backboard with Front Assembly Kit	LEC308 ^F (Blue) LEC308RD ^F (Red)
Backboard with Rear Assembly Kit	LEC309 ^F (Blue) LEC309RD ^F (Red)
I.V. Pole with Cart Mount 1.5" x 9.13" x 43" (max)-25.25" (min) (38 x 232 x 1103-640mm)	FL315
I.V. Pole-Mounted Sharp Brackets	LEC9800
Storage/Gel Bin 7.5" x 4.38" x 4.25" (194 x 111 x 107mm)	LEC319
Plastic Security Seals 100 Pack	LEC320 ^T
Backboard 24" x 24" (610 x 610mm)	LEC323

^F Must be factory installed prior to shipment

* FL301 brackets are included with accessories noted. FL301 should be ordered factory mounted to carts that anticipate accessories on a later order.

^T Use of a seal style other than the LEC320 style could cause damage and void warranty.

Lifeline carts are built to exact customer specifications, therefore, they are non-cancellable, non-returnable.

1.800.992.1776 • WWW.METRO.COM

medi⁺
HEALTH

Tilaukset: tilaukset@medihealth.fi Tiedustelut: info@medihealth.fi
Medihealth Oy, Haarasuonkuja 5 90240 Oulu, y-tunnus 3131118-6, www.medihealth.fi