

# Color chart

## color chart 1 [atn-07, 08]

			605 snow		1280 porcelain	4635 retro			806 hazelnut
	2795 lemon		614 sunflower	4861 pumpkin		1173 valentine		3105 velvet	4103 fuchsia
4633 apricot		4634 lavanda	2395 blue moon		1277 rain drops		2798 deep sea	2799 universe	
	2389 aquamarine	4035 mermaid		2797 mint	1274 esmerald		4868 pistachio	2394 willlow	2794 picnic
2793 chocolate	2390 mocca		3120 silvery		1049 antracit	1661 classy		1208 antistatic	
			10120		20279	07432		20288	10295

## color chart 2 [ferrari-stamskin® top]



Gynaecology, urology and  
proctology



[in](#) [f](#) Bring treatment to a higher level!

**Novak M d.o.o.**

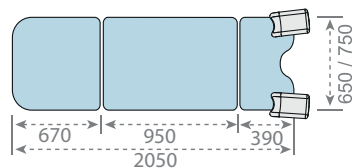
Pod smrekami 5  
SI - 1218 Komenda

E: [info@novak-m.si](mailto:info@novak-m.si)  
T: +386 1 5620117

[www.novak-m.com](http://www.novak-m.com)



reddot winner 2020



# GYNECOLOGICAL EXAMINATION TABLE S

Model: **ETSG-65/75**



NZN1



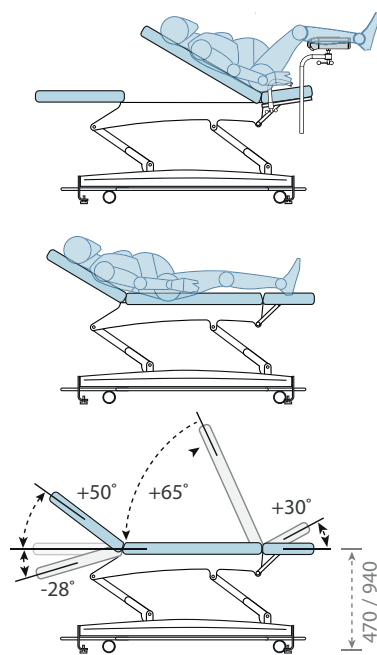
NZP1-SL



PVC-SG



UROH-SG



POSITIONS

## Equipment and accessories

safe working load	250 kg
seamless sealed upholstery (6 cm) – SER-SU6-S	●
seamless sealed upholstery (8 cm) – SU8-S	○
breathing hole with welded and taped seams (plug included) – OOC-SG	○
Göpel leg support, mounted on fixation rail (pair) – SER-NZN	●
leg support - stirrup (pair) – NZN1	○
paper roll holder – NZP1-SL	○
support handles	●
retractable castors with soft release (Ø 75 mm) – SER-RC-S	●
antistatic retractable castors with soft release (Ø 75 mm) – ARC-S	○
circular switch	●
hand switch	●
urology holder – UROH-SG	○
PVC cover for seat section – PVC6/8-SG	○
safety switch – EVV-S	○
plug connector for potential equalization – PPEQ	○
battery backup – BB-S	○

standard ● optional ○

# medi<sup>+</sup> HEALTH

Medihealth Oy, Haarasuonkuja 5 90240 Oulu, y-tunnus 3131118-6, [www.medihealth.fi](http://www.medihealth.fi)

Tilaukset: [tilaukset@medihealth.fi](mailto:tilaukset@medihealth.fi) Tiedustelut: [info@medihealth.fi](mailto:info@medihealth.fi)