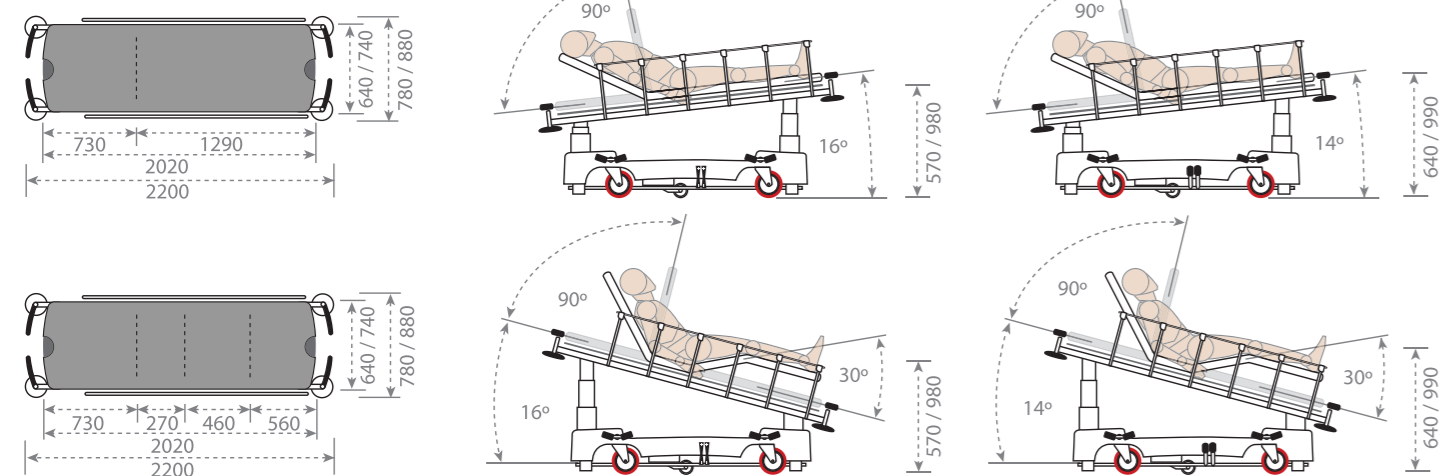


Technical data



Equipment and accessories

| | STRX-E | STRX-H |
|--|----------|----------|
| safe working load | 260 kg | 260 kg |
| height of the stretcher | 57–98 cm | 64–99 cm |
| lower height adjustment (59–89 cm, Trendelenburg 12°) – LH-X | — | ○ |
| non-slip mattress (thickness 6/8/10 cm) – MAT-6/8/10-X | ○ | ○ |
| mattress with side handles (thickness 6/8/10 cm) – MAT-6H/8H/10H-X | ○ | ○ |
| safety rails | ● | ● |
| side bumpers | ● | ● |
| push handles | ● | ● |
| foldable push handles – FPH-X | ○ | ○ |
| paper roll holder – NZP-X | ○ | ○ |
| infusion stand – SIF-X | ○ | ○ |
| oxygen bottle holder (length 45 cm or 55 cm) – O2-X, O2-X-L | ○ | ○ |
| fixation rails at lying section (pair) – LE-X | ○ | ○ |
| fixation rail at head section – LE-X-S | ○ | ○ |
| fixation rail at leg section – LE-X-Z | ○ | ○ |
| rubber castors with central locking system (Ø 200 mm) | ● | ● |
| fifth wheel – PK-X | ○ | ○ |
| antistatic castor (pc) – AC-X | ○ | ○ |
| monitor holder – MH-X | ○ | ○ |
| battery charger – CHR-X | ○ | — |
| additional battery – BAT-X | ○ | — |

standard ● optional ○ not available —



Oberschwabenklinik in Ravensburg, Germany



in f Bring treatment to a higher level!

Novak M d.o.o.

Pod smrekami 5
SI - 1218 Komenda

E: info@novak-m.si
T: +386 1 5620117
F: +386 1 5620118

www.novak-m.com



Emergency



reddot design award
winner 2017

STRETCHER X

Because seconds count!

Models

You can choose between **ELECTRICALLY** or **HYDRAULICALLY** operated stretchers with **TWO- OR FOUR-SECTION LYING SURFACE**.

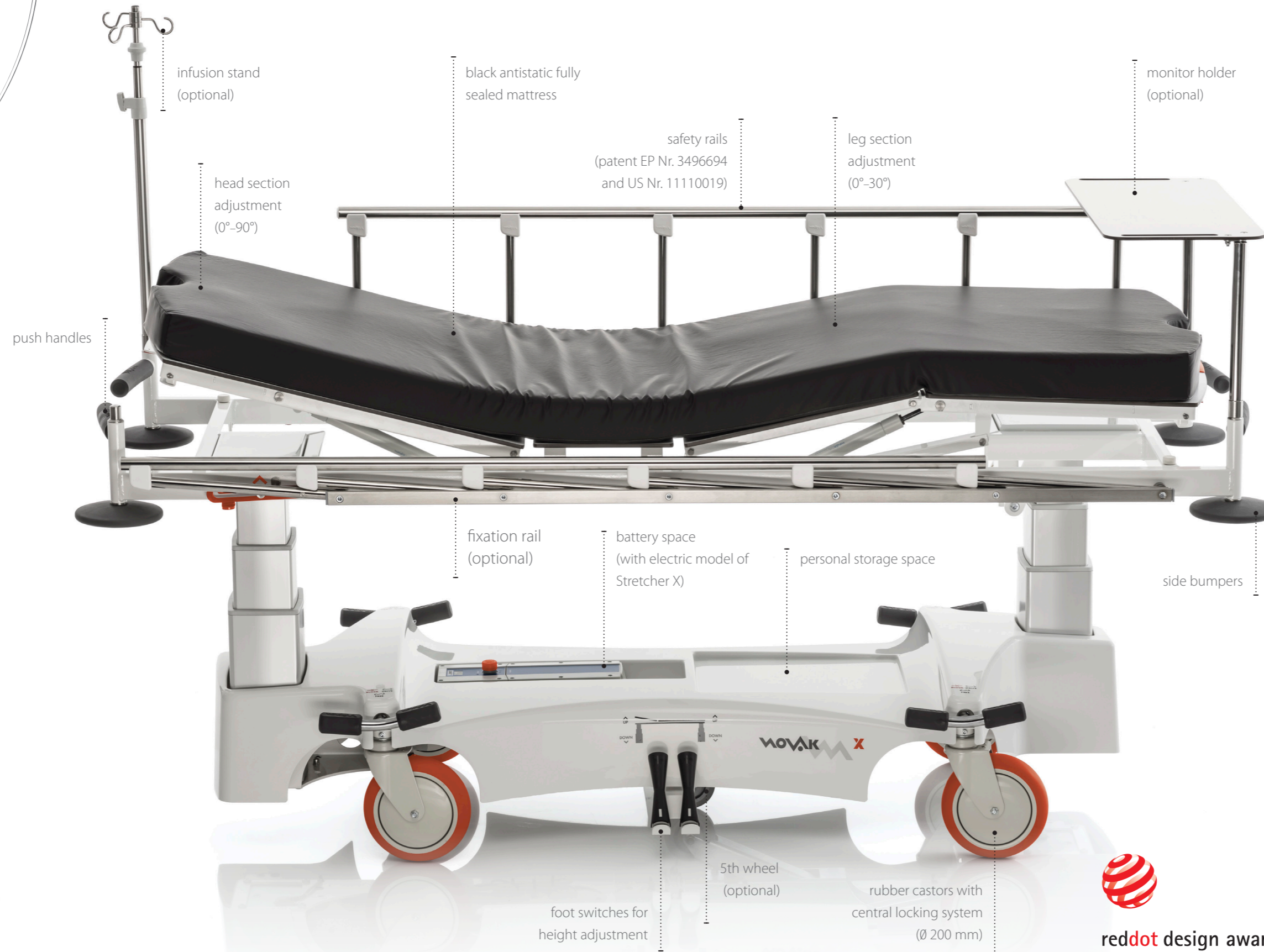
free access for classic X-ray device or C-arm

short **wheelbase**

1080 mm
excellent **manageability** and **agility**

permeability to X-rays

95% of patient coverage



Easy access during X-ray examinations

Key advantages of the **Stretcher X** are large lying area highly **PERMEABLE TO X-RAYS**, and an optimal access for **X-RAY EQUIPMENT** or **C-ARM**, enabling examination without moving patients. **INNOVATIVE DIAGONAL BASE** (patent EP Nr. 3377017) sets new standards in design, accessibility and X-ray permeability of hospital stretchers.

Excellent manageability and agility

SHORT WHEELBASE enables easier pushing, turning and avoiding other obstacles. **SIDE BUMPERS** on the corners additionally protect stretcher and the surrounding area from damage. Extremely solid **PUSH HANDLES** provide a safe grip during driving. **RUBBER CASTORS WITH CENTRAL LOCKING SYSTEM** are adjustable from all sides and ensure maximum grip and optimal manageability. The system enables free movement of wheels, drive in one direction or lock of all four wheels. The **FIFTH WHEEL** can also be ordered on request to provide easier management of the stretcher during ride and facilitate turning on the spot.

Simple adjustment

The **HEIGHT** of the Stretcher X is easily adjustable by **HYDRAULICALLY** or **ELECTRICALLY** operated foot switches, enabling the **Trendelenburg** and the **reverse Trendelenburg position**. The head section of Stretcher X can be adjusted manually, while the model with **FOUR SECTION LYING SURFACE** allows also for **simultaneous adjustment** of seat and leg sections. Firm and solid **STAINLESS-STEEL SAFETY RAILS** (patent EP Nr. 3496694 and US Nr. 11110019) on both sides of the stretcher protect patients against falls. With large selection of **ACCESSORIES**, you can customize life-support trolley to serve your needs even better.

Cleaning and maintenance

MATTRESS is available in three different thicknesses. It is made of memory foam upholstered in a black antistatic PU material resistant to blood, urine, fat and disinfectants. To ensure **PROPER HYGIENE**, the **SEAMS ARE WELDED AND TAPED** to prevent the penetration of liquids. **NON-SLIP MATTRESS** with an anti-slip material and Velcro fasteners on the bottom prevents sliding during examinations and when positioning the patient on the stretcher. When the patients are transferred together with the **MATTRESS**, you can choose the type **WITH SIDE HANDLES** and **SMOOTH BOTTOM SURFACE**. For easier cleaning and maintenance, the base is protected by a **COVER** made of flexible **ABS plastic** with additional abrasion-resistant **PMMA coating**.



reddot design award
winner 2017

medi⁺ HEALTH

Medihealth Oy, Haarasuonkuja 5 90240 Oulu, y-tunnus 3131118-6, www.medihealth.fi

Tilaukset: tilaukset@medihealth.fi Tiedustelut: info@medihealth.fi