

## Enhanced patient safety and comfort

With the patient as the crucial consideration, Stretcher X2 is designed to ensure enhanced **patients' protection and comfort**. The exceptionally **low access height at 52 cm** (+mattress) allows easy mounting and dismounting, a feature that is particularly welcome for elderly patients. Stainless steel **safety rails** feature a patented solution that makes them even sturdier and easier to clean. The rails stretch almost along the full length of the trolley's sides to ensure complete patient safety. **Various mattress options** allow you to provide maximum support and comfort to your patients during the time they spend on the stretcher.

## Flexible and reliable

The next Stretcher X generation improves hospital patient flow allowing caregivers to carry out their tasks even easier and more efficiently. The height adjustment is **hydraulic**, with foot pedals on both sides of the trolley. To act quickly in critical situations, the patient transport trolley allows you to adjust the **Anti/Trendelenburg position hands free** by only using foot pedals. To support patients with breathing or heart conditions or just to make them more comfortable, the **head section** can be **lifted up to 85°**. With a four-section stretcher, the **leg section** can be **raised up to 27° with a knee gatch of -5°**, which contributes to greater comfort and improves circulation. Since the stretcher sections are supported by gas springs, their adjustment requires minimal effort. The ABS plastic base cover features a **space for storing the patient's personal belongings**. A **smaller storage compartment under the head section** for files, a tablet or a monitoring device is available as an optional accessory.

## Smooth transport and perfect controls

The Stretcher X2 design includes a wide range of features to help the personnel maneuver and handle the trolley with ease. Stretcher X2 is **18 kg lighter than the previous X generation** and at the same time exceptionally **stable** with a **safe working load of 320 kg**. Four large rubber castors featured as part of the standard equipment include an antistatic directional castor. With the addition of the **optional fifth wheel**, maneuvering the stretcher and turning it on the spot could not be easier, even if you are handling it on your own. The central castor locking system is operated via **foot controls on the head and foot end** as standard. As optional equipment, **four-sided foot controls** that allow for even greater flexibility are available. **Push handles** located at either end of the patient transport trolley ensure a safe and firm grip. Optional **foldable push handles** can be quickly lowered so you access and attend to your patients more easily. **Bumpers** on all four corners protect the stretcher against accidental damage.

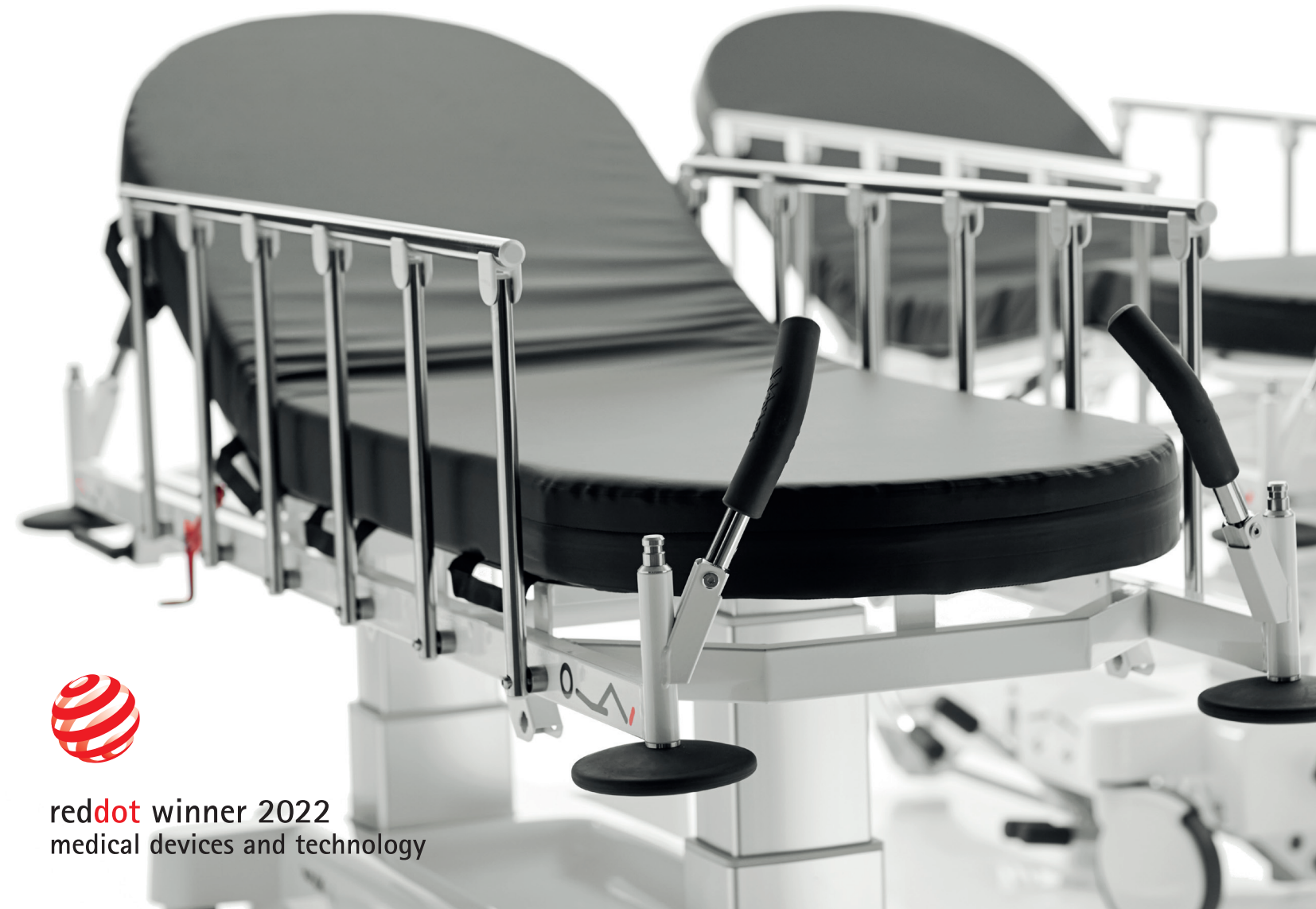


[in](#) [f](#) Bring treatment to a higher level!

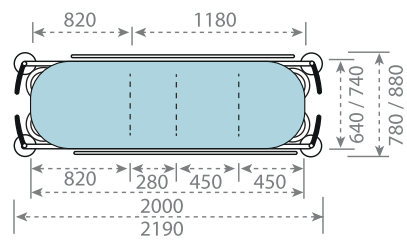
Novak M d.o.o., Pod smrekami 5, SI - 1218 Komenda  
E: info@novak-m.si // T: +386 1 5620117 // [www.novak-m.com](http://www.novak-m.com)



## Stretcher X2



reddot winner 2022  
medical devices and technology

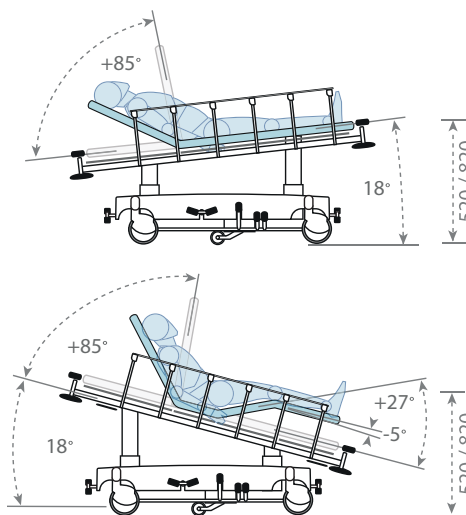


# STRETCHER X2 - hydraulic

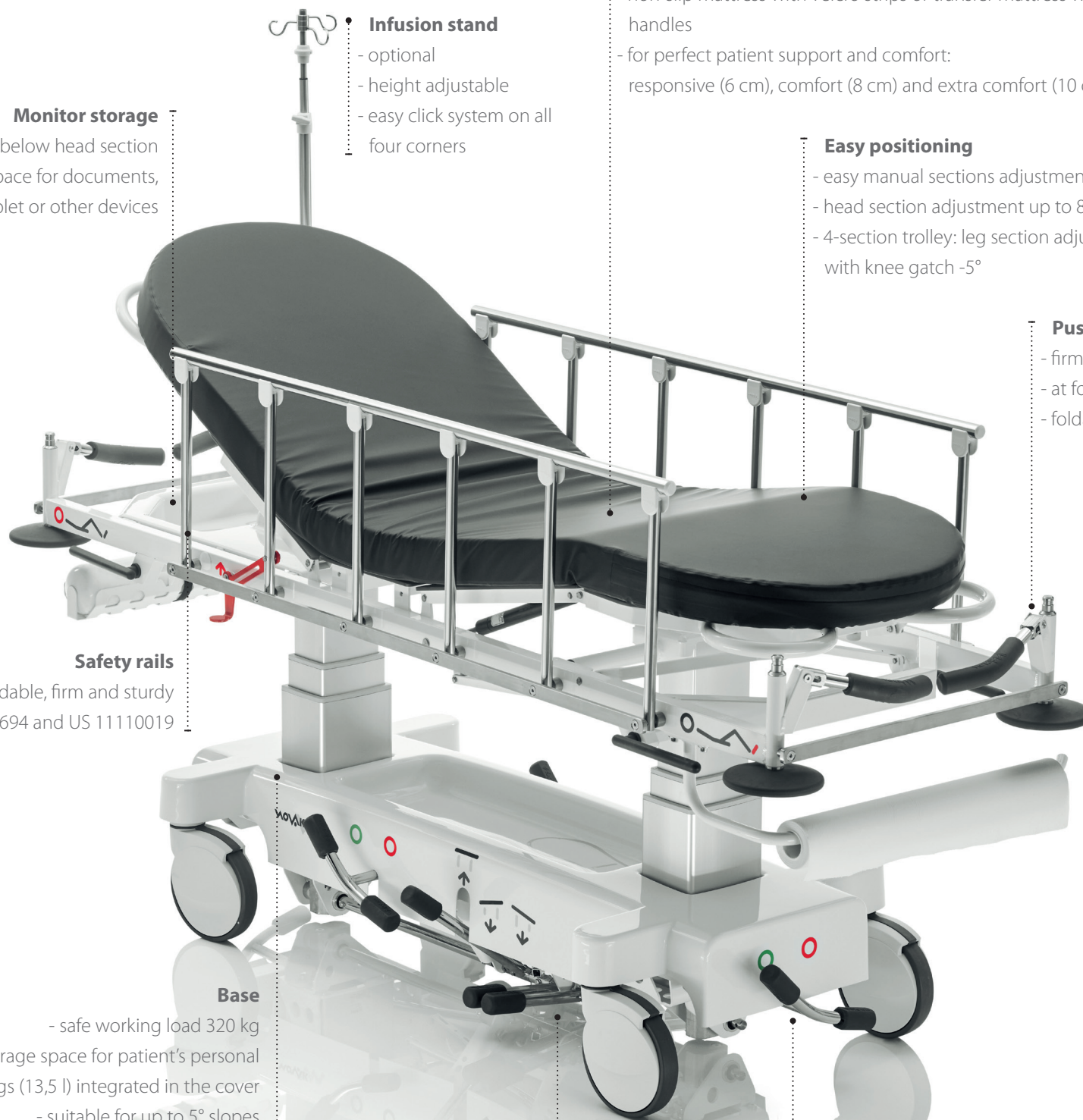
Models:

**STRX2-H2** (2-section trolley)

**STRX2-H4** (4-section trolley)



POSITIONS



**Monitor storage**  
- optional below head section  
- 6,5 l space for documents, tablet or other devices

**Infusion stand**  
- optional  
- height adjustable  
- easy click system on all four corners

**Antistatic mattress**  
- non-slip mattress with Velcro strips or transfer mattress with handles  
- for perfect patient support and comfort: responsive (6 cm), comfort (8 cm) and extra comfort (10 cm)

**Easy positioning**  
- easy manual sections adjustment by gas springs  
- head section adjustment up to 85°  
- 4-section trolley: leg section adjustment up to 27° with knee gatch -5°

**Push handles**  
- firm and ergonomic grip  
- at foot and head section  
- foldable dual-height handles optional

**Safety rails**  
- foldable, firm and sturdy  
- patents EP 3496694 and US 11110019

**Base**  
- safe working load 320 kg  
- storage space for patient's personal belongings (13,5 l) integrated in the cover  
- suitable for up to 5° slopes (elevation of 78 mm over 1 m)

**Hydraulic height adjustment**  
- between 52 and 82 cm by pedals on both sides  
- low minimum height for easy patient access  
- Anti/Trendelenburg position - 18°, adjusted by foot pedals

**Castor central locking system**  
- dual end controls standard, four-sided controls optional  
- antistatic directional castor standard  
- 5th wheel optional



CONFIGURE

Equipment and accessories	STRX2-H2	STRX2-H4
safe working load 320 kg	●	●
hydraulic height adjustment (52-82 cm)	●	●
integrated storage for patient's personal belongings on the base cover (13,5 l)	●	●
safety rails	●	●
central locking system with dual end controls – SER-2CK-X2	●	●
central locking system with four-sided controls – 4CK-X2	○	○
push handles at head and foot section – SER-PH-X2-S, SER-PH-X2-Z	●	●
foldable push handles – FPH-X2-S, FPH-X2-Z	○	○
directional antistatic castor, Ø 200 mm – SER-SK-X2	●	●
fifth wheel, Ø 100 mm (1 pc) and additional antistatic castor, Ø 200 mm (1 pc) – PK-X2	○	○
fixation rails at lying, head or leg section – LE-X2, LE-X2-S, LE-X2-Z	○	○
paper roll holder – NZP-X2	○	○
infusion stand (1 pc) – SIF-X	○	○
oxygen bottle holder – O2-X2 (45 cm), O2-X2-L (55 cm)	○	○
antistatic castor (1 pc) – AC-X2	○	○
personal or monitor storage below the head section (6,5 l) – POM-X2	○	○
transfer mattress responsive (6 cm) – MAT-6H-X2	○	○
transfer mattress comfort (8 cm) – MAT-8H-X2	○	○
transfer mattress extra comfort (10 cm) – MAT-10H-X2	○	○
non-slip mattress responsive (6 cm) – MAT-6-X2	○	○
non-slip mattress comfort (8 cm) – MAT-8-X2	○	○
non-slip mattress extra comfort (10 cm) – MAT-10-X2	○	○
ESD drag chain – STE-X2	○	○
plug connector for potential equalization – PPEQ	○	○

standard ● optional ○

# medi<sup>+</sup> HEALTH

Medihealth Oy, Haarasuonkuja 5 90240 Oulu, y-tunnus 3131118-6, [www.medihealth.fi](http://www.medihealth.fi)

Tilaukset: [tilaukset@medihealth.fi](mailto:tilaukset@medihealth.fi) Tiedustelut: [info@medihealth.fi](mailto:info@medihealth.fi)