

# HERMES Closed Aluminum Transport Carts



**TRANSPORTING EQUIPMENT INSIDE  
& BETWEEN HOSPITAL CAMPUSES**

# SECURE TRANSPORTATION

Rigid heavy-duty aluminum structure carts for **transporting of sterile and non-sterile medical equipment between campuses** or between central sterilization and the receiving departments



Upper all-around bumpers for transporting inside trucks

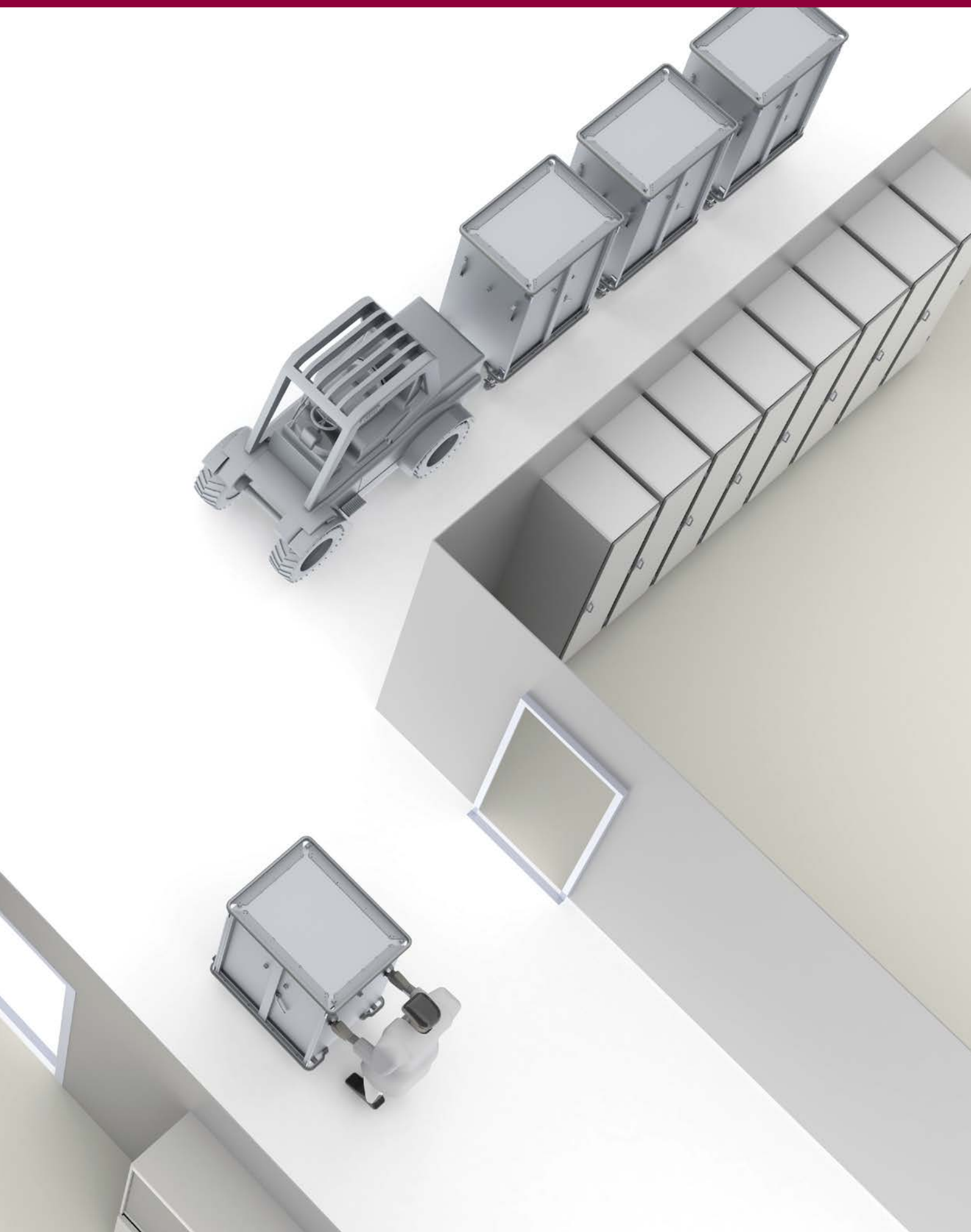


All-around lower bumpers



Dedicated hooking structure for safe towing





# UNIQUE FEATURES

## COMBINATION OF LIGHT-WEIGHT AND RIGID STRUCTURE WITH CLEANING & WASHING RESISTANCE

### ERGONOMIC HANDLES

Ergonomic push handles, vertical or horizontal

### DOOR LOCKS

Doors can be locked with key or a seal locks

### 270° OPENING

Doors can be opened to 270°, and locked with a magnet to the cart's outside walls

### HEAVY-DUTY WHEELS

6" heavy duty wheels with or without locking





## BUMPERS

All around rubber upper & bottom bumpers

## TILTED TRAYS

Baskets and trays can be tilted while pulled out

## PANELS

Side panels are made of durable Nylon, washable and removable (SEE NEXT PAGE)

## TOWING

Optional traction connection for safe towing

# WASHING AND CLEANING

## PANELS CAN BE REMOVED EASILY FOR WASHING

Side and central panels can be removed easily for washing using fast connectors (no tools needed)



Release locking knobs  
(Tool free)



Pull out middle wall  
(Light weight wall)



Release knobs and  
pull out side walls



Ready for washing  
(Machine wash)

## NYLON SIDE PANELS

Nylon side panels are resistant to heat up to 110°C (230°F) degrees



PNL(U)-NWN

## CLEANING INSTRUCTIONS

- Carts are constructed of anodized light alloy and suitable for washing and chemical disinfection.
- Thermal disinfection is not recommended!
- Considering the significant number of different types of cleaning products in the market, we suggest consulting with Pegasus first.



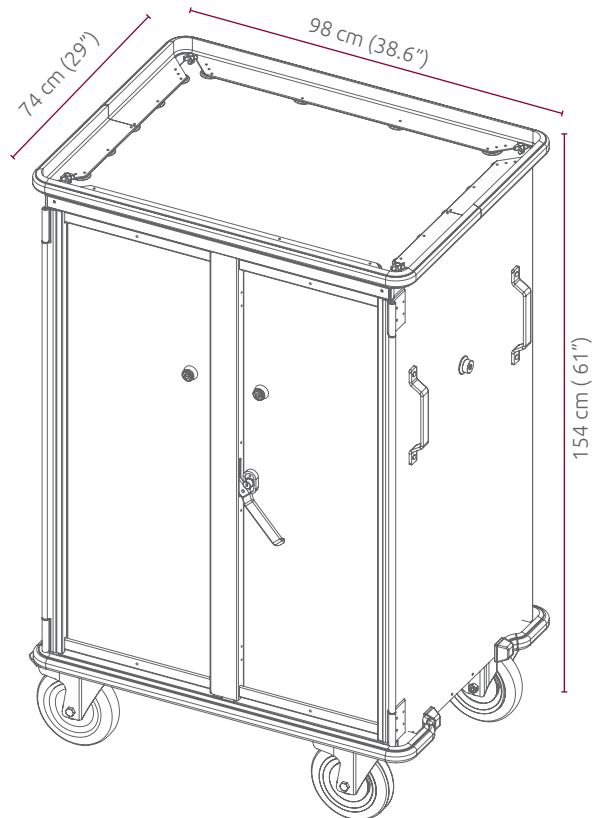
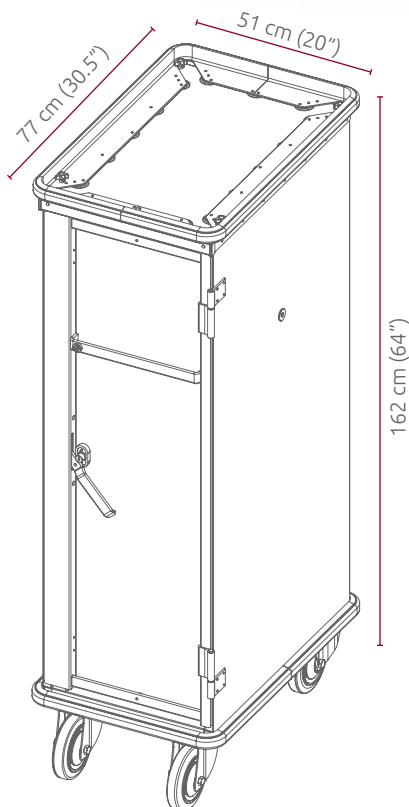
# DIMENSIONS & CONFIGURATIONS



SINGLE U CART



DOUBLE UU CART



medi<sup>+</sup>  
HEALTH

Tilaukset: [tilaukset@medihealth.fi](mailto:tilaukset@medihealth.fi) Tiedustelut: [info@medihealth.fi](mailto:info@medihealth.fi)  
Medihealth Oy, Haarasuonkuja 5 90240 Oulu, y-tunnus 3131118-6, [www.medihealth.fi](http://www.medihealth.fi)