

Warning! This symbol indicates important information related to safety. Follow these instructions carefully.



Read User Manual before use! It is important to fully understand the content of the user manual before attempting to use the equipment.

CE

2021-04-13

Document number: M10-368EN rev.01

Intended use

Vertical support cushion intended for support and positioning of patient on the operating table during surgery. The product is to be used by medical professionals within a medical facility.



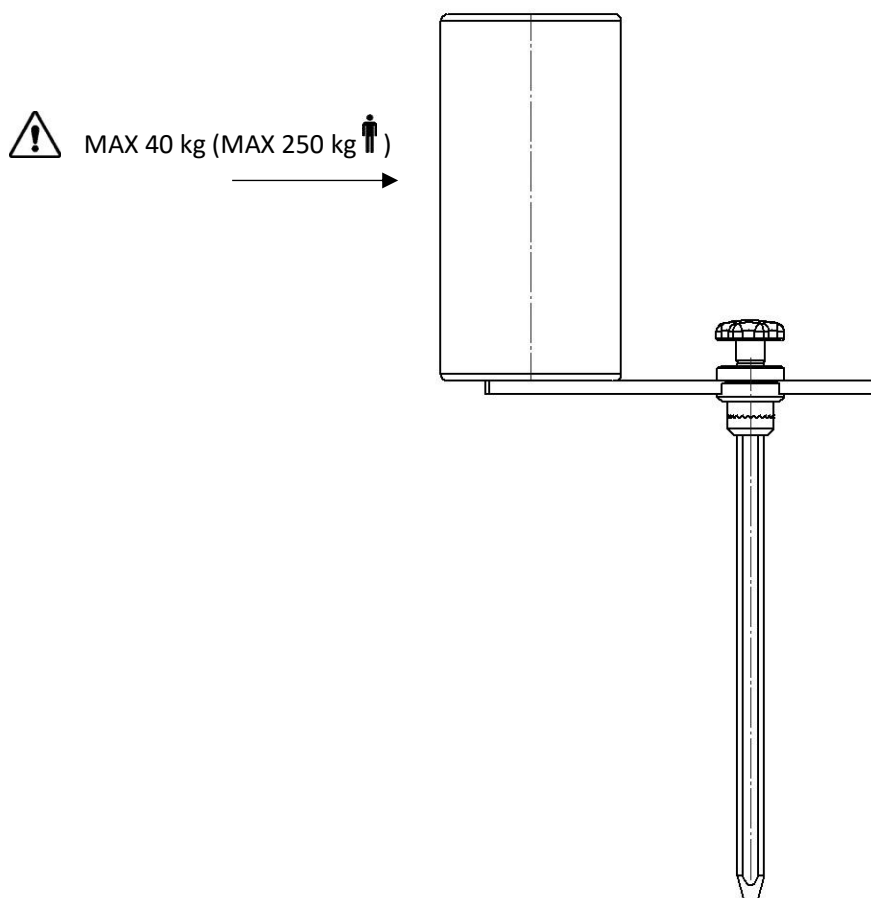
Safety regulation

Maximum load: 40 kg, corresponding to a patient weight of 250 kg, according to EN 60601-1 and EN 60601-2.

Before use, ensure correct function!

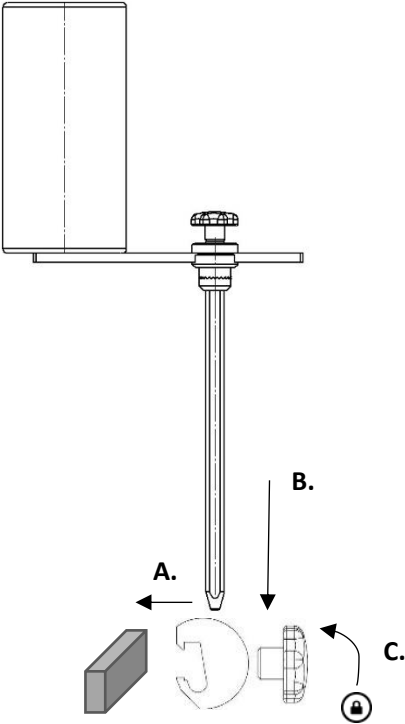
When loosening the lock lever to adjust the position, support underneath the lateral support, to prevent it from uncontrolled descend into the bottom position.

Service and preventive maintenance shall be performed by authorized personnel.

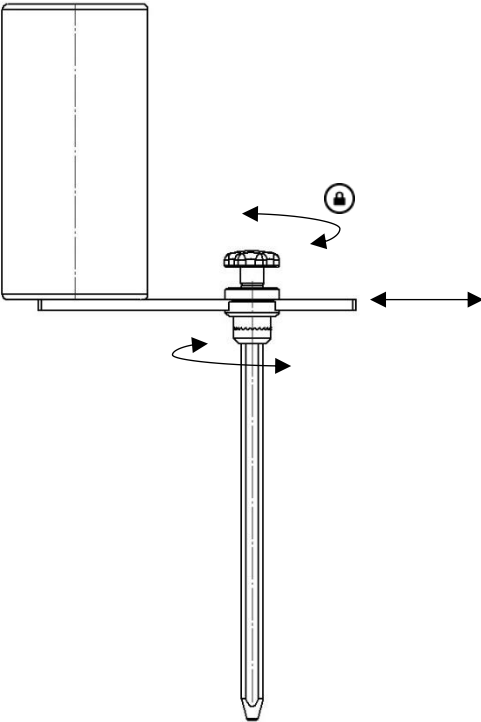


User instruction

Installation



Positioning



Maintenance



Service, preventive maintenance, adjustment and repair shall be performed by authorized personnel only. Altering the construction without a written consent from the manufacturer, is strictly forbidden.

Cleaning

Clean with antiseptic detergent with pH 6 – 8 and warm water. Ethanol can be used on metal surfaces. Wipe dry with soft cloth. Do not use strong acidic or alkaline detergent.

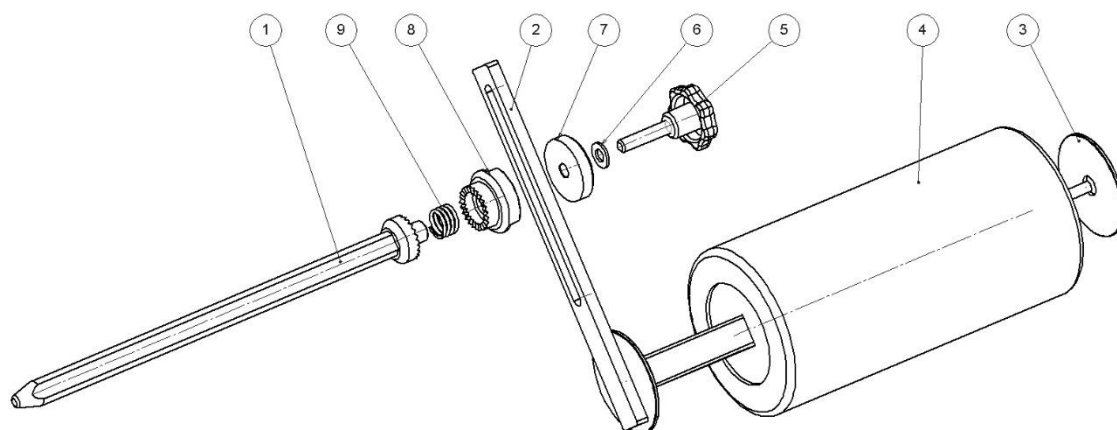
Control

Check that there are no loose parts and that there is no damage to any part. Check that the cushion is clean and is not damaged.

Annual service

Once a year the Lateral support shall be carefully cleaned.

Spare parts



	Description	Pcs	Article no.
1.	Post	1	10123
2.	Pad holder	1	10139
3.	Outer washer	1	11173
4.	Pad	1	10691
5.	Knob	1	11473
6.	Washer 10,5x20x2 nylon	1	-
7.	Washer	1	10119
8.	Gear ring	1	11163
9.	Pressure spring	1	1602

Technical specification

Maximum workload	40 kg, corresponding to a patient weight of 250 kg, according to EN 60601-1 and EN 60601-2
Weight	1,9 kg
Dimension (H x W x L)	660 x 135 x 325 mm
Lateral adjustment	150 mm
Material Lateral support	Stainless steel Polyurethane
UDI-DI	07350111831561

medi⁺
HEALTH

Tilaukset: tilaukset@medihealth.fi Tiedustelut: info@medihealth.fi
Medihealth Oy, Haarasuonkuja 5 90240 Oulu, y-tunnus 3131118-6, www.medihealth.fi