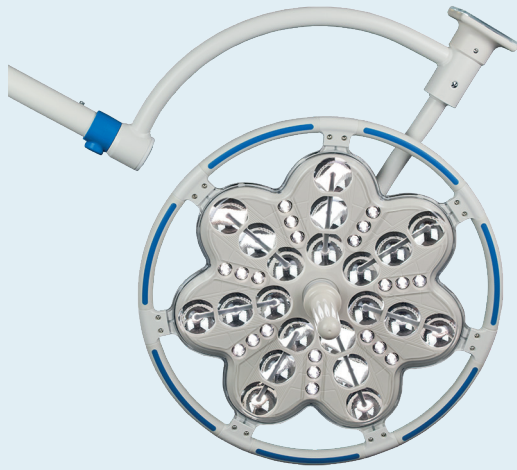




# SURGICAL LIGHT EMALED® 300 M

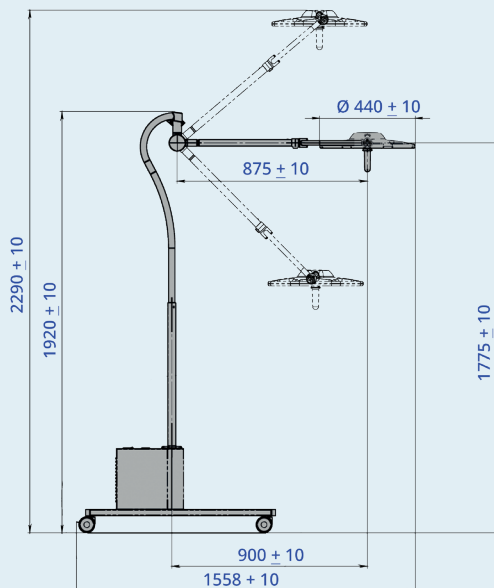


The mobile surgical light EMALED 300 M with a battery back-up can be used without power connection up to 5 hours. The high illumination and excellent lighting quality makes this mobile surgical light a good allrounder in multiple fields.



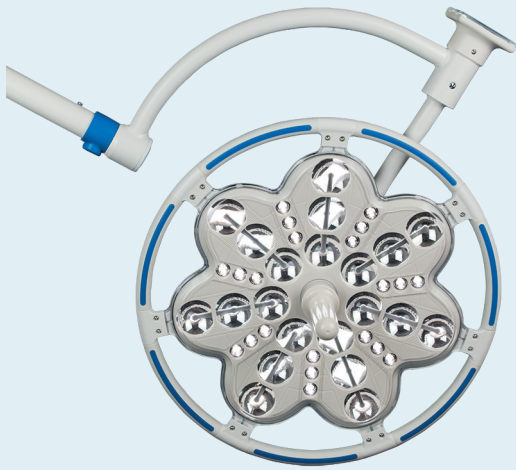
## TECHNICAL DETAILS

	EMALED 300 M
Illumination (at 1 m)	100.000 lx
Lighting intensity	10 - 100 %
Focusable diameter of lightning field D10	150 - 300 mm
Operating distance	70 - 140 cm
Colour temperature	4.500 K
Colour rendering index	96 Ra
Life expectancy of LED´s	50.000 hrs
Diameter of light head	440 mm
Number of LEDs	42
Main voltage	230 V
Frequency	50 - 60 Hz
Power consumption	24 VA
Weight of lighting element	4,0 kg
Weight of complete system	45 kg



- Natural colour rendering
- Shadow-free illumination
- Barely noticeable heating of the light head
- Integrated battery back-up for 5 hour network independent use
- No moveable parts in the light head
- Low maintenance requirements
- Adjustable illumination in 10 steps
- Powder coated aluminum case
- Two autoclavable handles are included (additional handles can be ordered any time)
- 4-step focusing via the control panel with LCD display
- Optionally: cardanic system



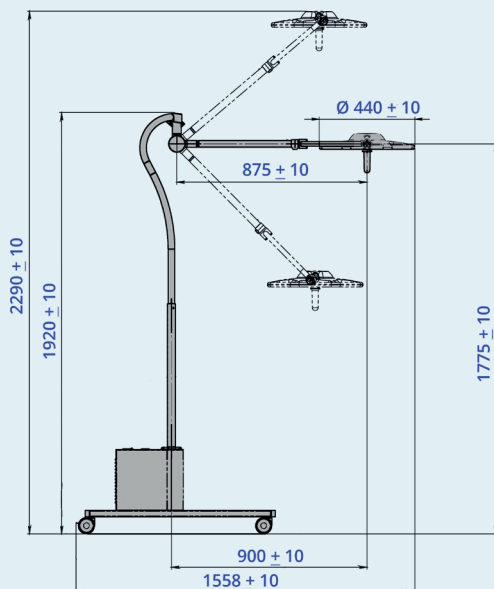


The mobile surgical light EMALED 300 M+ with a battery back-up can be used without power connection up to 5 hours. The high illumination and excellent lightning quality makes this mobile surgical light a good allrounder in multiple fields.



## TECHNICAL DETAILS

	EMALED 300 M
Illumination (at 1 m)	160.000 lx
Lighting intensity	10 - 100 %
Focusable diameter of lightning field D10	150 - 300 mm
Operating distance	70 - 140 cm
Colour temperature	4.500 K
Colour rendering index	96 Ra
Life expectancy of LED´s	50.000 hrs
Diameter of light head	440 mm
Number of LEDs	42
Main voltage	230 V
Frequency	50 - 60 Hz
Power consumption	24 VA
Weight of lighting element	4,0 kg
Weight of complete system	45 kg



- Natural colour rendering
- Shadow-free illumination
- Barely noticeable heating of the light head
- Integrated battery back-up for 5 hour network independent use
- No moveable parts in the light head
- Low maintenance requirements
- Adjustable illumination in 10 steps
- Powder coated aluminum case
- Two autoclavable handles are included (additional handles can be ordered any time)
- 4-step focusing via the control panel with LCD display
- Optionally: cardanic system