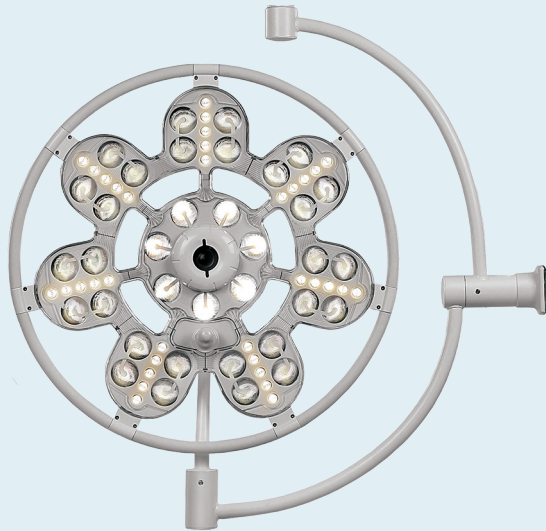




SURGICAL LIGHT EMALED® 500

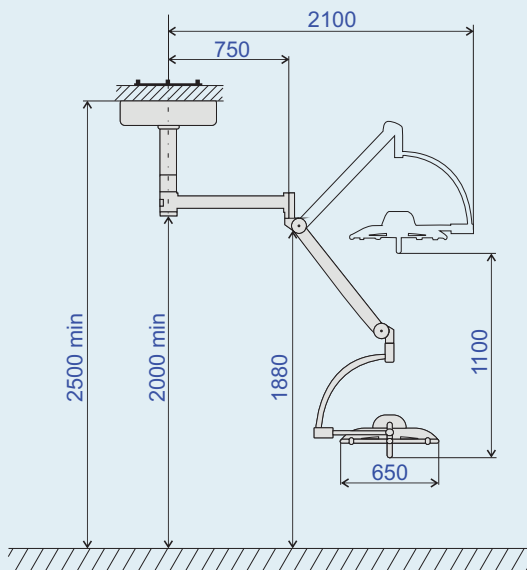
This light head EMALED 500 with a light head diameter of 650 mm and its flat and unique design, is compatible with laminar flow ceilings. This surgical light grants best light quality, a large light field and is therefore suitable also for big surgical interventions.



TECHNICAL DETAILS

Illumination (at 1 m)	120.000 lx
Lighting intensity	10 - 100 %
Focusable diameter of lightning field D10	185 - 350 mm
Operating distance	70 - 140 cm
Colour temperature	4.500 K
Colour rendering index	96 Ra
Life expectancy of LED´s	50.000 hrs
Diameter of light head	650 mm
Number of LEDs	70
Main voltage	100 - 240 V / 24 V
Frequency	50 - 60 Hz
Power consumption	60 VA
Weight of lighting element	9,5 kg
Weight of complete system	80 kg

- Natural colour rendering grants a great light quality
- Shadow-free illumination
- Barely noticeable heating of the light head
- No movable parts in the light head
- Low maintenance requirements
- Adjustable illumination in 10 steps
- Powder coated aluminium case
- Two autoclavable handles are included (additional handles can be ordered any time)
- High flexibility: 360° rotation horizontal
- 4-step focusing via the control panel with LCD display
- Endoscopic mode
- Macro mode



Optional available:

- Remote control (also for double dome lights)
- Emergency power back-up (for up to 4hrs network independent use)
- Full HD camera
- Laser pointer
- Variable colour temperature: 3500 - 5000 K (5-steps)

